

## Ring light series ER700x70

LED ring light, Ø80mm, M8 connector 4-pin, IP54, aluminum+PMMA



### Suitable for continuous and flash operation

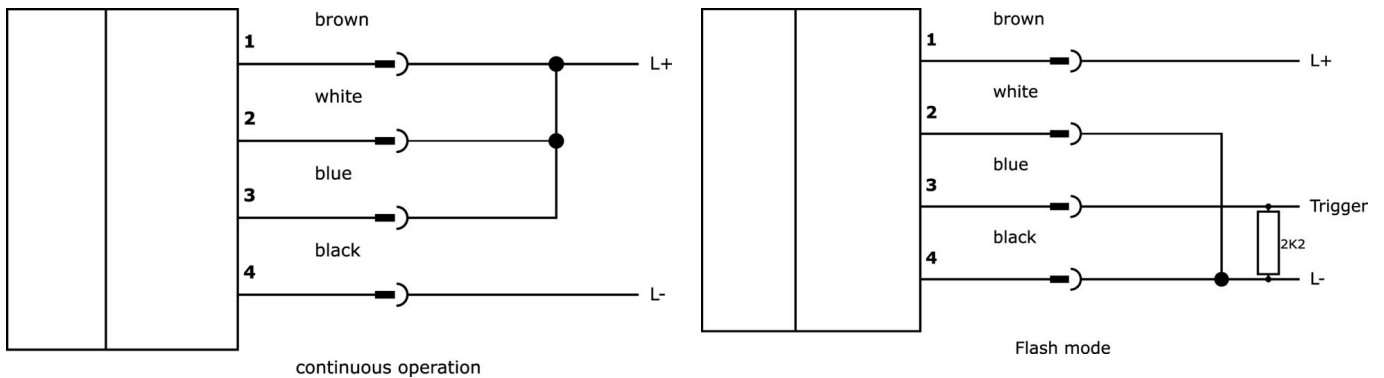
Selecting the right illumination is essential for all types of inspection tasks with a camera sensor, as only high-contrast images can be reproducibly evaluated. And illumination has a decisive influence here. The selection depends on various factors such as the distance to the test object, its size, the component criterion to be tested or the expected environmental conditions. Ring lights provide a direct, focused incident light that is particularly suitable for round test objects as it does not produce any hard object shadows.

Lights are available with different diameters of the lens aperture, different light colors and outputs. The internal flash controller enables flash operation of the lights up, which may be required for short exposure times of the camera systems.

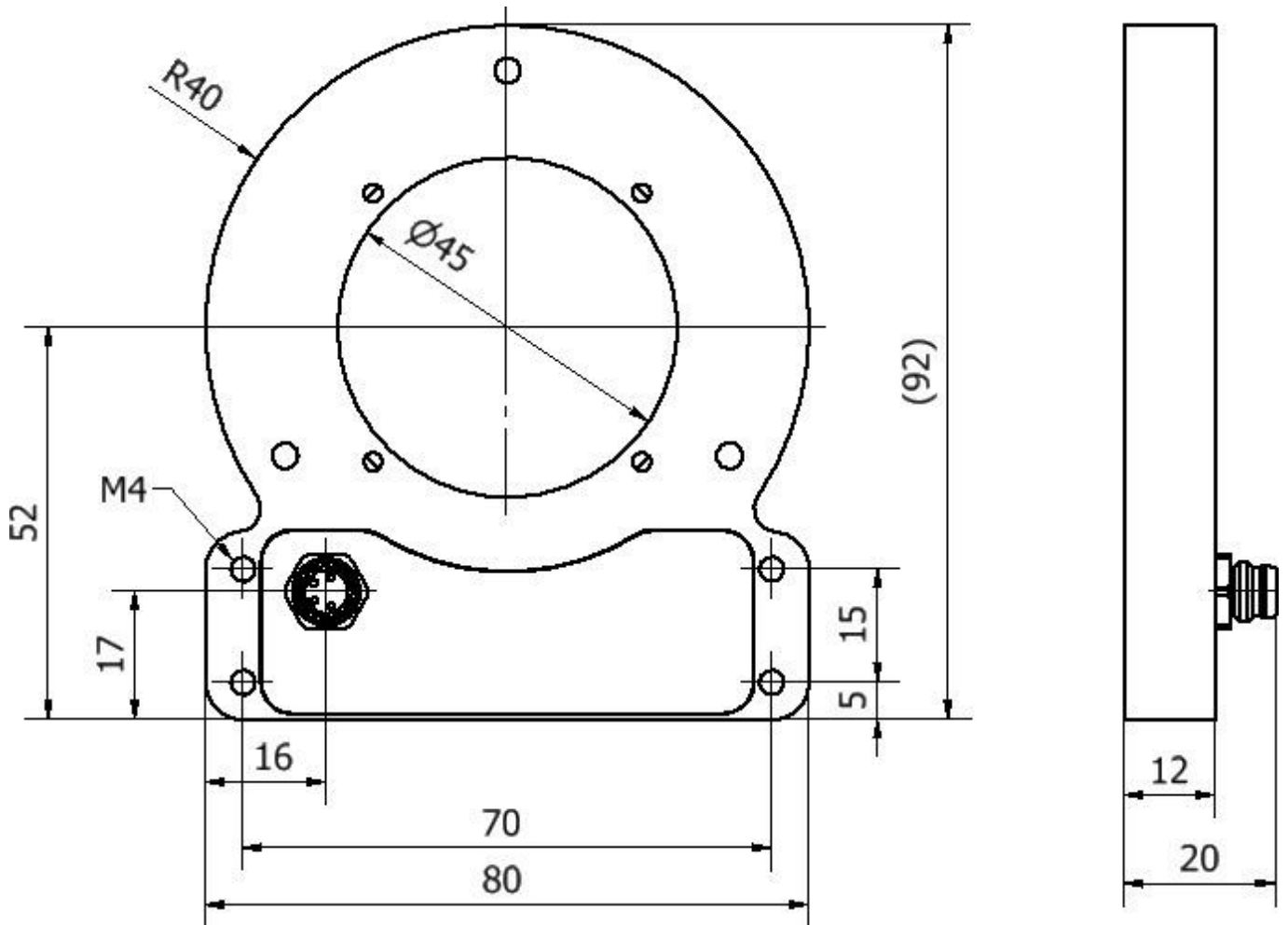
Article No.	ER700170	ER700670	ER700770	ER700870
ardSOCA_Abmessungen	92x80x12mm			
Inner diameter	45 mm			
ardSOCA_Betriebsspannung	23-25VDC			
Rated operating current	300 mA			
Power	6 W	6 W	5 W	7.2 W
Protection class	III			
Operational mode	Flash operation   Permanent operation   Switching operation			
Working distance range	75 - 200 mm			
Light source	White light	Blue light	Polarity free red light	Green light
Wavelength of the sensor		465 nm	625 nm	525 nm
ardSOCA_ElektrischerAnschluss	M8 4-pin plug connector			
Degree of protection (IP)	IP54			
Housing material	Aluminum			
Front screen material	Polymethyl methacrylate			
Ambient temperature	10 - 30 °C			
Risk group	1	1	0	0

Article No.	ER700970	ER700I70	ER700U70
ardSOCA_Abmessungen	92x80x12mm		
Inner diameter	45 mm		
ardSOCA_Betriebsspannung	23-25VDC		
Rated operating current	300 mA		
Power	6 W	5 W	6 W
Protection class	III		
Operational mode	Flash operation   Permanent operation   Switching operation		
Working distance range	75 - 200 mm		
Light source	Yellow light	Infrared light	Ultraviolet
Wavelength of the sensor	580 nm	850 nm	365 nm
ardSOCA_ElektrischerAnschluss	M8 4-pin plug connector		
Degree of protection (IP)	IP54		
Housing material	Aluminum		
Front screen material	Polymethyl methacrylate		
Ambient temperature	10 - 30 °C		
Risk group	1	0	3

**Connection**



Dimensional drawing



**Extract accessories program**

**VK200371**



Connection cable, 2m, M8 Female (socket) 4pin Angular, Free conductor end, 4x0.34mm<sup>2</sup>, PUR (Polyurethane), Ø4.7mm, 30V, -30-90°C, IP67, Suitable for trailing chain and torsion resistant, Oil and cooling lubricants, Welding area, Silicone-free

**VK200375**



Connection cable, 2m, M8 Female (socket) 4pin Straight, Free conductor end, 4x0.34mm<sup>2</sup>, PUR (Polyurethane), Ø4.7mm, 30V, -30-90°C, IP67, Suitable for trailing chain and torsion resistant, Oil and cooling lubricants, Welding area, Silicone-free

**VK030F71**



Connection cable, 0.3m, M8 socket 4-pin angular, M8 connector 4-pin straight, 4-core, PUR (polyurethane), suitable for trailing chain and torsion resistant, oils and cooling lubricants, welding area, silicone-free

**VK030F75**



Connection cable, 0.3m, M8 socket 4-pin straight, M8 connector 4-pin straight, 4-core, PUR (polyurethane), suitable for trailing chain and torsion-resistant, oils and cooling lubricants, welding area, silicone-free

**VK06F001**



Line for camera lighting in continuous operation on OC53 with internal flash controller, 0.6m, M8 socket 4-pin straight, M8 connector 4-pin straight, 4-wire

**VK06F002**



Line for camera lighting in flash mode to OC53 with internal flash controller, 0.6m, M8 socket 4-pin straight, M8 connector 4-pin straight, 4-wire

**AO000667**



Accessories Optical, holder, plastic

You can find further accessories on our homepage



**Installation**

Mounting / installation may only be carried out by a qualified electrician!



**Disposal**

WEEE number according to § 6 para. 3 ElektroG: 40951076

**Safety warnings**

**/** Before initial operation, please make sure to follow all safety instructions that may be provided in the product information.

**/** Never use these devices in applications where the safety of a person depends on their functionality.

**/** LED lighting systems can generate intensive UV radiation, which can damage your eyes in case of improper use. The manufacturer cannot be held responsible for damages that result from improper use or connection.